

Conference

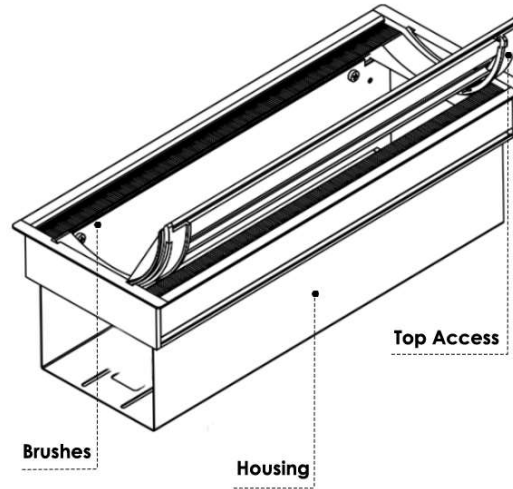
in desk power module



USER

MANUAL

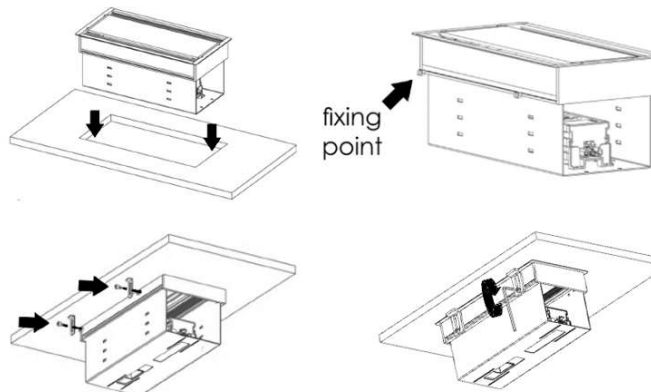
Thank you for purchasing ABL's Conference power module.



INSTALLATION:

Note: Ensure that there is a sufficient clearance, 150mm below surface and 30mm between the cut-out edge and the edge of the work surface.

- Step 1.** Place the module in the desk cut-out.
- Step 2.** Place the fixing point into the sliding cannal.
- Step 3.** Place the L tighteners onto the fixing points.
- Step 4.** Tighten the screws using Allen key.



MAIN FEATURES:

- Top Access is available in Black, White and Silver
- It is available in three dimensions: MIN, MID and MAX depending on the configuration.
- The module uses elegant, metal clamps that can be installed under the desk.

Available configurations:

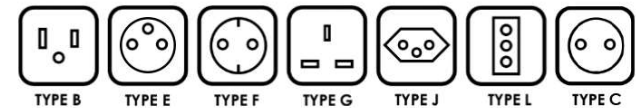
• G socket type:

- MIN:** up to two sockets or tunnels
- MID:** up to four modules or tunnels
- MAX:** up to five sockets or tunnels

• Other socket types:

- MIN:** up to two sockets or tunnels
- MID:** up to four sockets or tunnels
- MAX:** up to six sockets or tunnels

Note: Use ABL's Link, the accompanying under desk power module for the Conference unit. The most common socket types:



*Contact us for more information.

SAFETY NOTES:

- Items such as Vacuum Cleaners, Kettles, Coffee Makers, and Fan Heaters should not be connected via ABL power modules
- Installation is to be carried out by a qualified professional



www.abl-ltd.com



SCAN ME



Complies with BS 5733 (UK)
IEC 60884-1 and IEC 60884-2-7 (Europe)



Kitemark certified on 13A Plugs and Socket outlets
(KM686563)



Manufacturing in-house within central
Europe under strict compliance with
ISO 9001:2015

CONTACT US

UK DISTRIBUTION CENTRE

14 Fleming Close
Park Farm Ind. Estate
Wellingborough
Northants NN8 6UF
United Kingdom

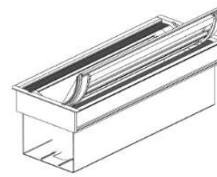
+44 (0) 1933 400 080
sales@abl-ltd.com

EMEA DISTRIBUTION CENTRE

Lava Tolstoja 25
32103 Cacak
Serbia

+381 (0) 32 420 100
sales@abl.co.rs

CONTENTS:



- **Conference power module**



Note: Use ABL's Link, the accompanying under desk power module for the Conference unit.

MAINTENANCE:

Do not open, disassemble, change, or modify the device. Every unauthorized opening or repairing of the device leads to loss of warranty. During device usage, you need to follow basic safety measures. since safety requirements vary, please check with local laws.

WARRANTY CONDITIONS:

ABL warrants this product as free of defects in material, design, and workmanship for the period of twenty-four (24) months from the original date of receipt of the product, unless applicable national laws stipulate otherwise. If during the period of warranty this product proves defective under normal use and service you should return the product to the retailer from whom it was originally purchased. The liability of the ABL is limited to the cost of repair and/or replacement of the unit under warranty. The warranty is void if a failure occurs due to the following reasons:

- Improper device installation
- Improper handling
- Improper transport
- Force majeure



WARNING: Do not use this product for any other purpose other than which it was designed for.

